

# acm 08HA150

## General Description and Applications:

The  acmaudio 08HA150 features a molded polypropylene enclosure that is inherently weather resistant.

ACM audio used advanced program techniques to create the most successful and influential professional speaker system. High power, efficiency, lower distortion and great low frequency extension provide an unbelievable performance.



08HA150 can be used for live sound reinforcement, vocals, speech and music playback in entertainment, schools, pub, coffee shop and outdoor venues. Portability is one of the important factors for choice especially.



For permanent suspension or attaching brackets, the 08HA150 also has two M6 inserts on the top and bottom, two on the side, for a total of 5.





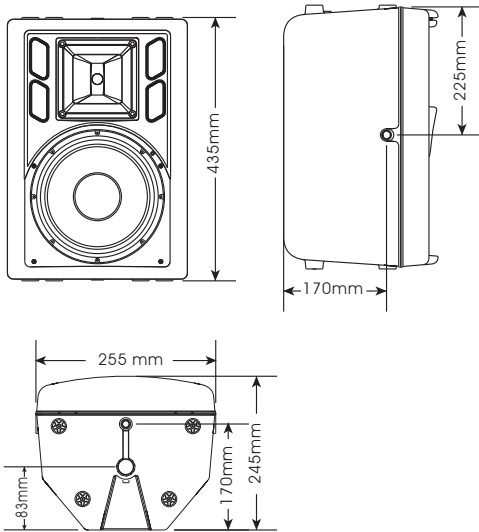
# acmaudio

## 08HA150

### Portable Speaker System



#### Dimension Drawings



#### Key Features:

High Impact Molded Polypropylene Enclosure

08L120-41 8 LF Transducer

1.5" Voice Coil, 1" Exit Aluminium Compression Driver

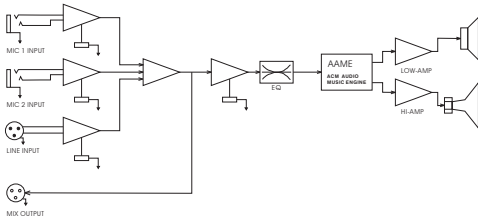
90° x 60° Coverage Pattern

Smooth Response With High Power Handling Capacity ( Long Term/Max), 114dB/117dB

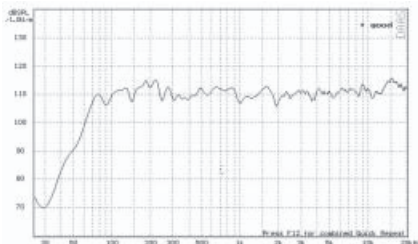
5 Integral Suspension Points

Complete Mounting Solutions

#### Block Diagram



#### Frequency Response



#### Technical Specification:

Freq. Range(-10dB): 60Hz~20kHz

Freq. Response(-3dB): 70Hz~20kHz

Rec. Hipass Frequency: 50Hz

Max Calculated SPL: 117dB

Horizontal Coverage: 90°

Vertical Coverage: 60°

Amplifier Power LF: 100W

Amplifier Power HF: 50W

LF Transducer: 08L120-41

HF Transducer: 25H34-82

Crossover Frequency: 3.5kHz

Loop/Mix Out: XLR/M, Balanced

AC Input: 110/220 V, AC, 50/60Hz, 180 Watts

Dim (H x W x D): 435mm x 255mm x 245mm

Net Weight: 9.5Kg

Shipping Weight: 11Kg